

UNITED STATES PATENT OFFICE.

ALBERT V. HILL, OF CARROLLTON, NEW YORK.

IMPROVEMENT IN FIRE-ARMS.

Specification forming part of Letters Patent No. **32,421**, dated May 28, 1861.

To all whom it may concern:

Be it known that I, ALBERT V. HILL, of Carrollton, in the county of Cattaraugus and State of New York, have invented a new and useful Improvement in Breech-Loading Fire-Arms, designed especially for application to that form of the same for which Letters Patent were granted to me on the 2d of August, 1859; and I do hereby declare that the following is a clear and exact description of the construction and operation of the same, reference being had to the annexed drawings, making a part of this specification, in which—

Figure 1 is a perspective view of the breech when closed. Fig. 2 is a perspective view of the breech when open. Fig. 3 is a perspective view of the key removed.

A is the lever-key when set; B, elevated portions of the bed-piece; L, the back end of the lever of a circular form and fixed eccentrically to the key, which, when the lever is turned back bears upon the shoulder B and pries the breech open, as shown at Fig. 2; O, the hole in the breech to admit the key; C C, the back end of the mortises through the breech; S, the tenants on the rear of the bed-piece when open; P, a cavity cut in the tenants; X, the back end of the tenants; N N, the cavities in the key shown at Fig. 3; V, the key-lever.

The nature of my invention consists in a method of fastening the breech of breech-load-

ing fire-arms with a lever-key by means of which the breech is opened and securely closed. The key is a round bolt with two cavities cut half-way through, as shown at Fig. 3. The round part of the key is inserted in the hole O, Fig. 2, with the lever V turned back with the cavities in the key down, so as to compare with the mortises C C, as shown at Fig. 2. Then the lever is turned forward and the cavities N N in the key strike the back end of the tenants X on the bed-piece and draw the breech shut, forming a solid bolt through the breech and cavities in the tenants with the rounded part of the key down, forming a solid and perfectly safe breech, as shown at Fig. 1. When the lever A, Fig. 1, is turned back the back end of the lever L will strike an elevated portion of the bed-piece B and pry the breech open, as shown at Fig. 2.

What I claim as my invention, and desire to secure by Letters Patent of the United States, is—

The above-described notched key with its lever V and eccentric disk L, constructed as described for the purpose of opening and securely closing the breech of a breech-loading fire-arm in the manner set forth.

ALBERT V. HILL.

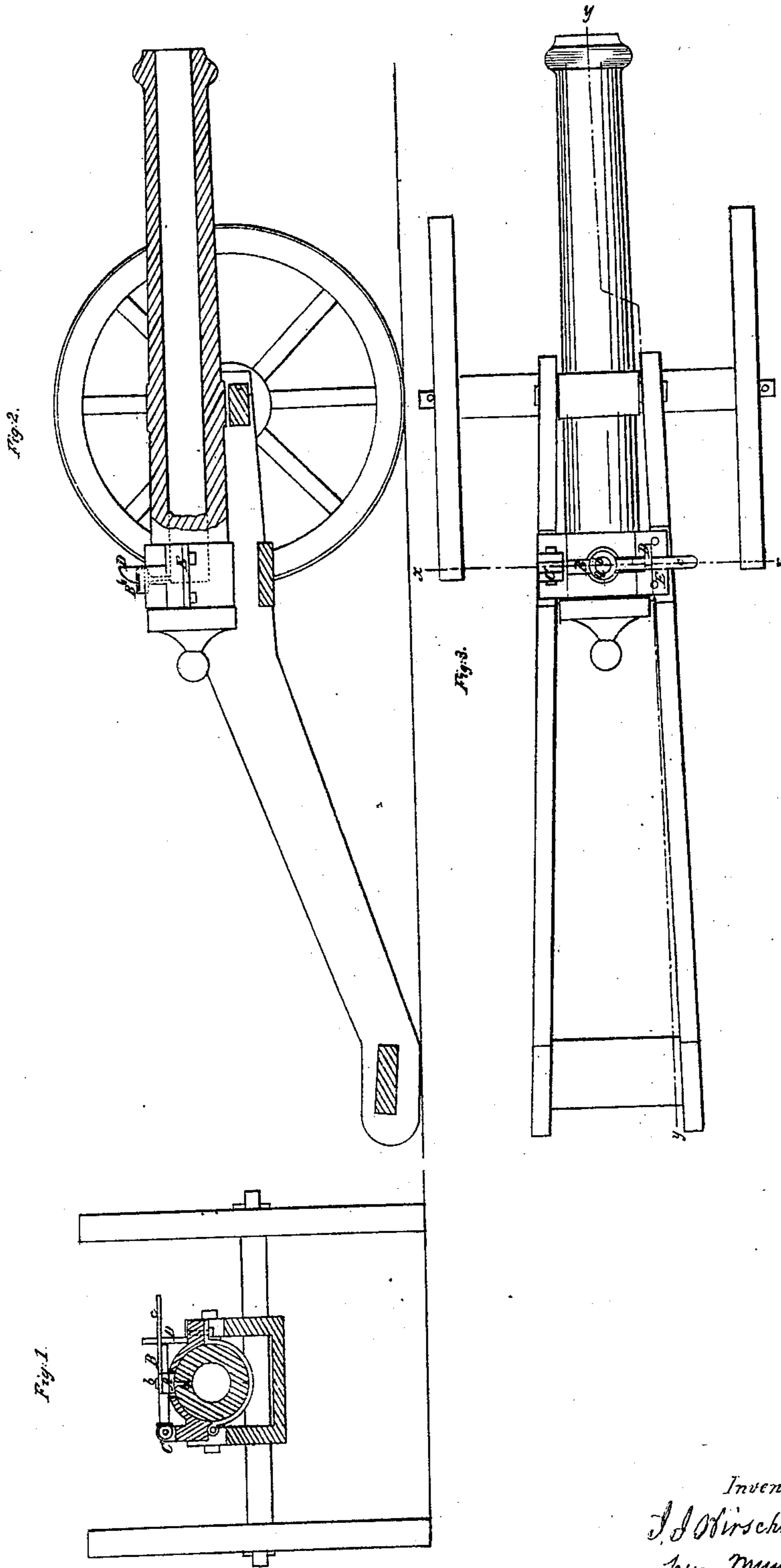
Witnesses:

R. T. THOMPSON,
T. H. STOCK.

J. J. HIRSCHBUHL.
Vent Stoppers for Ordnance.

No. { 1,418. }
 { 32,422. }

Patented May 28, 1861.



Witnesses.

J. J. Hirschbuhl
R. S. Spruce

Inventor

J. J. Hirschbuhl
per Munroe & Co.
Attorneys